

• Measurement of AC currents from 45Hz to 5000Hz (clamp on transformers)

200A eff. M		Up to 1200A eff.				1400A eff. SM	
		US	NS	S	SM		
	M1						
	M2						
	M3						
	M4						
Conductor size in mm		Conductor size in mm		Conductor size in mm		Conductor size in mm	
Ø 15		Ø 43	44x12 30x33	Ø 50	55x12 46x28	Ø 50	50x12 41x36
						Ø 54	51x12 40x35

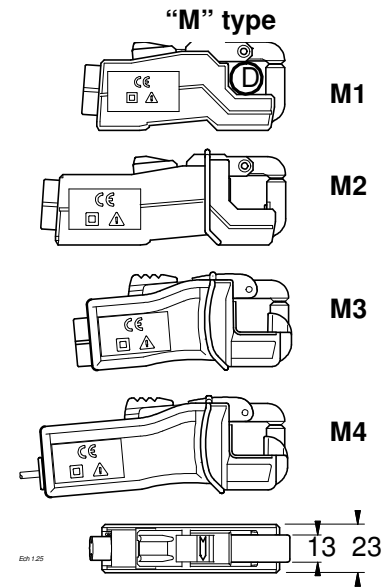
Up to 1600A eff.			Up to 3200A eff.		
E16	H16	P16	E32	H32	P32
Conductor size in mm					
Ø 54	100x30 120x22	Ø 67	100x44 120x35	Ø 80	100x56 120x47
				Ø 56	100x30 120x23
				Ø 70	100x45 120x37
				Ø 83	100x57 125x46

• Measurement of AC and DC current up to 5000Hz (Hall effect probes)

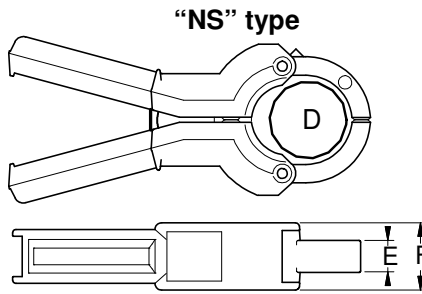
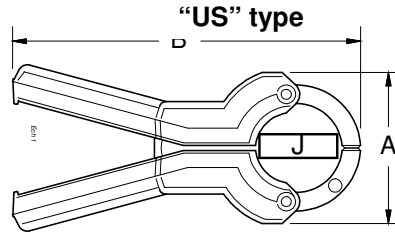
200A peak M2.1C	2000A peak SC	Up to 7500A peak		Up to 15 000A crête C104.*
		H*.C	P*.C	
Conductor size in mm				
Ø 15	Ø 50	Ø 72	Ø 83	Ø 102
	50x12 35x35	100x53 127x43	100x64 122x54	102x102

CLAMP ON TRANSFORMERS SIZE (with 4 mm safety sockets output option)

For AC currents

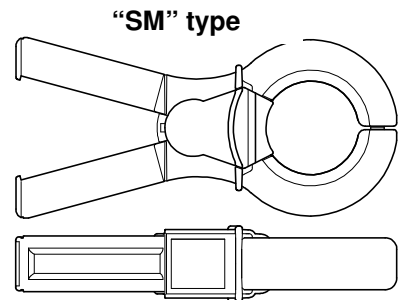
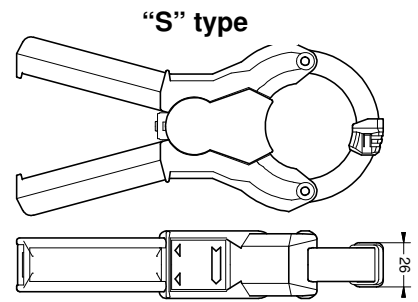


	B	A	k	D	
	mm				g
M1	97	43	12	15	100
M2	116	"	"	"	120
M3	107	46	"	"	140
M4	127	"	"	"	160



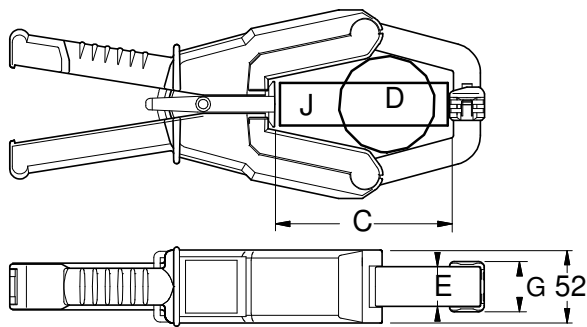
D = Cables
J = Barres Busbars

Without protector								
	A	B	E	F	k	D	J	Poids
	mm							g
US	90	206	19	40	13	43	44x12	450
NS	102	218	19	40	13	50	55x12	500



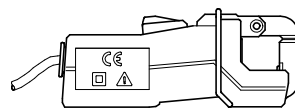
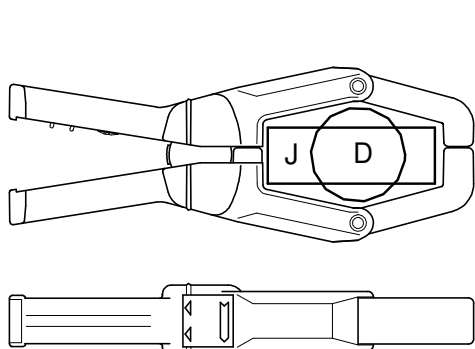
	A	B	E	F	k	D	J	
	mm							g
S	102	216	20	40	13	50	50x12	500
SM	105	225	44	44	13	54	51x12	700

"E16" ... "P32" type

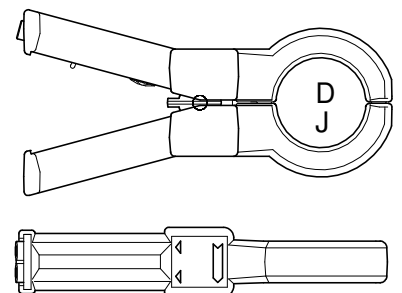


	A	B	C	E	G	k	D	J	kg
	mm								kg
E16	119	337	122	28	35	13	54	100x30 120x22	1,8
H16	133	"	122	"	"	"	67	100x44 120x35	2,0
P16	146	"	123	"	"	"	80	100x56 120x47	2,2
E32	118	333	125	23	30	"	56	100x30 120x23	1,4
H32	133	"	125	"	"	"	70	100x45 120x37	1,6
P32	146	"	126	"	"	"	83	100x57 125x46	1,8

For AC and DC currents



"M2.1C" type



"SC" type

	A	B	C	E	k	D	J	kg
	mm							kg
M2	43	116		13	...	15	15x17	0,17
SC	86	213		24	12	52	50x12 36x36	0,5
HC	127	336		34	"	72	100x53 127x43	1,4
PC	137	336		34	"	83	100x64 122x54	1,7

"H.C" ... "P.C" types